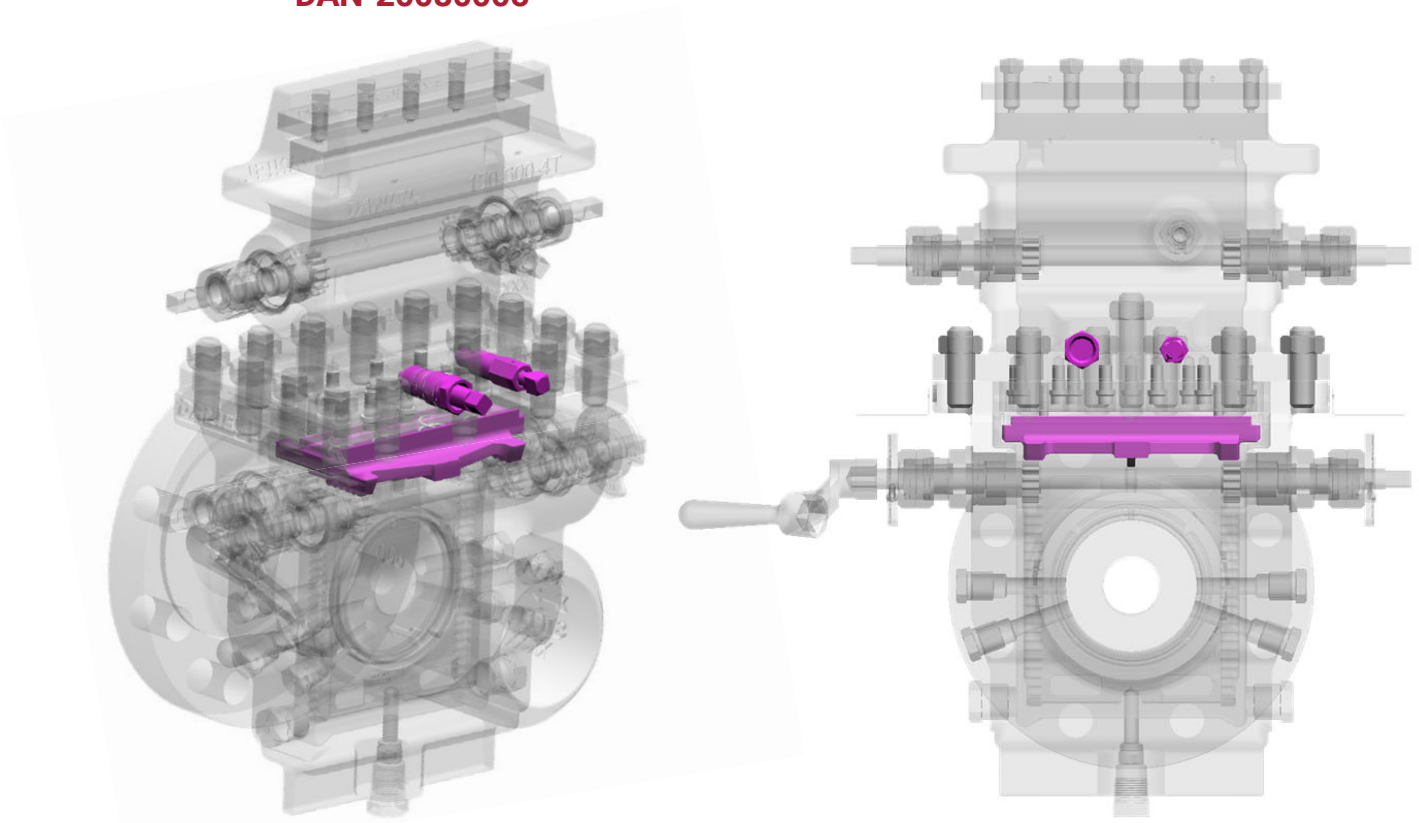


DANIEL[®] SENIOR ORIFICE FITTING BILL OF MATERIALS

EQUALIZER VALVE KIT

DMC-20079194

DAN-20080005



DANIEL[®]

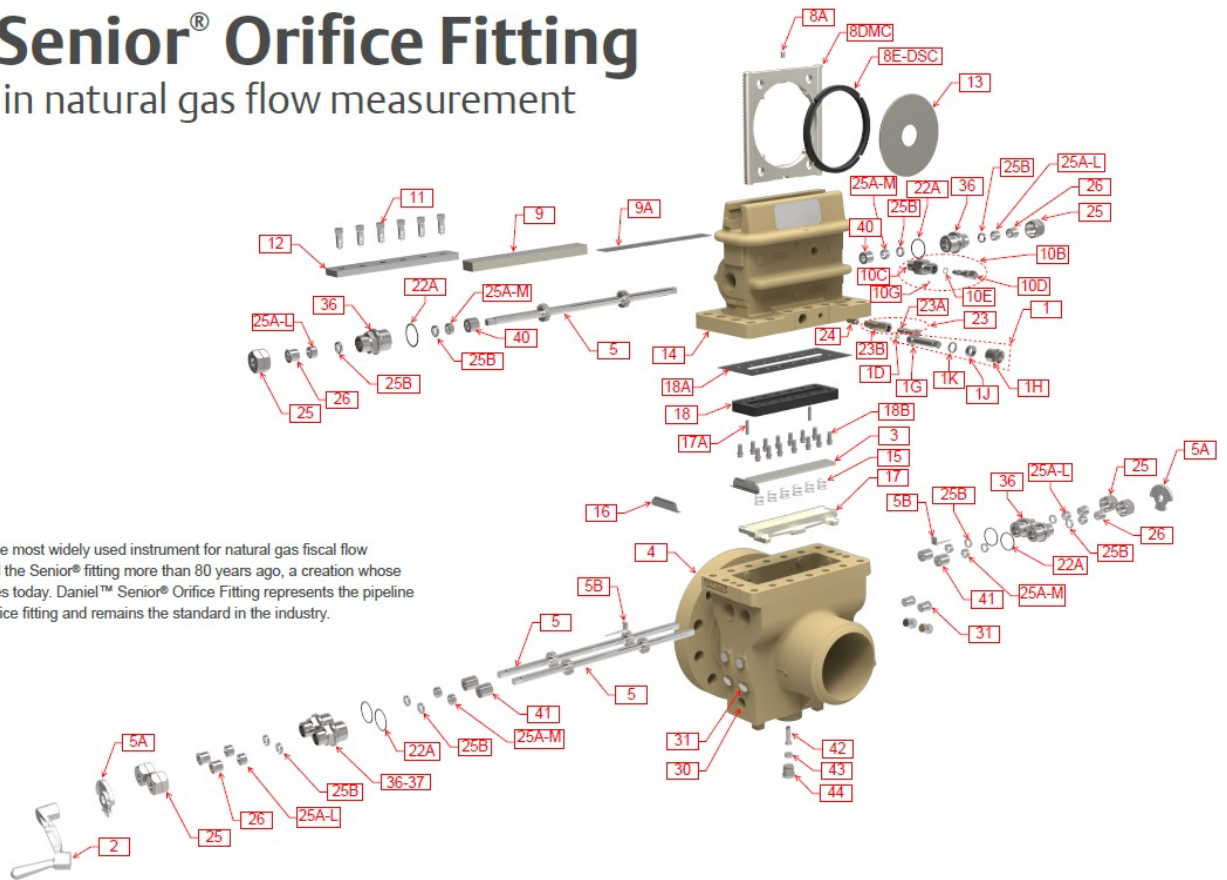
KIT NUMBER: DAN-20072437

EQUALIZER VALVE KIT 2" 12" 150# 600 NACE TRIM (MANUFACTURED 1992-PRESENT)

| Part No. | Item No. | Description | Quantity |
|-----------------|-----------------|--------------------------|-----------------|
| 1-504-01-004 | #1 | EQUALIZER VALVE ASSEMBLY | 1 |
| 1-504-01-086 | #24 | BALL CHECK VALVE ASSEMBY | 1 |

Daniel™ Senior® Orifice Fitting

The standard in natural gas flow measurement



Daniel™ Senior® Orifice Fitting is the most widely used instrument for natural gas fiscal flow measurement. Paul Daniel invented the Senior® fitting more than 80 years ago, a creation whose fundamental design concept endures today. Daniel™ Senior® Orifice Fitting represents the pipeline industry's leading dual-chamber orifice fitting and remains the standard in the industry.

| Item Number | Description |
|-------------|---------------------------------|
| #1 | Equalizer Valve, Complete |
| #1D | Equalizer Valve, Ball |
| #1G | Equalizer Valve, Stem |
| #1H | Equalizer Valve, Packing Nut |
| #1J | Equalizer Valve, Packing Ring |
| #1K | Equalizer Valve, Packing Washer |
| #2 | Operating Wrench |
| #3 | Slide Valve Strip |
| #5A | Indicator Plate LH/RH |
| #5B | Indicator Pointer |
| #5 | Gear Shaft |
| #9 | Sealing Bar |
| #9A | Sealing Bar Gasket |
| #10B | Bleeder Valve, Complete |
| #10C | Bleeder Valve, Body |
| #10D | Bleeder Valve, Needle |
| #10E | Bleeder Valve, O-ring |
| #10G | Bleeder Valve, Set Screw |
| #11 | Clamping Bar Screw |
| #12 | Clamping Bar |
| #15 | Slide Valve Spring |
| #16 | Slide Valve Carrier Guide LH/RH |

| | |
|--------|----------------------------------|
| #17 | Slide Valve Carrier |
| #17A | Slide Valve Carrier Seat Pin |
| #18 | Slide Valve Seat |
| #18A | Slide Valve Seat Top Gasket |
| #18B | Slide Valve Seat Screw |
| #22A | Bearing Plug/Stuffing Box Gasket |
| #23 | Grease Gun, Complete |
| #24 | Double Ball Check Valve |
| #25 | Packing Nut |
| #25A-L | Packing Ring |
| #25A-M | Packing Ring |
| #25B | Centering Ring |
| #26 | Stuffing Box Gland |
| #30 | Drain Plugs |
| #31 | Meter Tap Plugs |
| #36-37 | Stuffing Box Body |
| #40 | Stuffing Box Sleeve, Top |
| #41 | Stuffing Box Sleeve, Body |
| #42 | Plate Carrier Stop Pin |
| #43 | Stop Pin Lock Screw |
| #44 | Stop Pin Access Plug |

With over 90 years of experience, Daniel is the only manufacturer that has the knowledge and experience to engineer and offer superior products that are trusted to provide the most reliable and accurate measurements in the global oil and gas industry.

Contact Us

Email: Sales@Daniel.com
Phone: +1 (346)-509-3700



www.Daniel.com